

Introduction

The AP-320-MNT-T Ceiling Tile Mount Kit allows 320 Series access points to be securely mounted into an overhead ceiling tile.

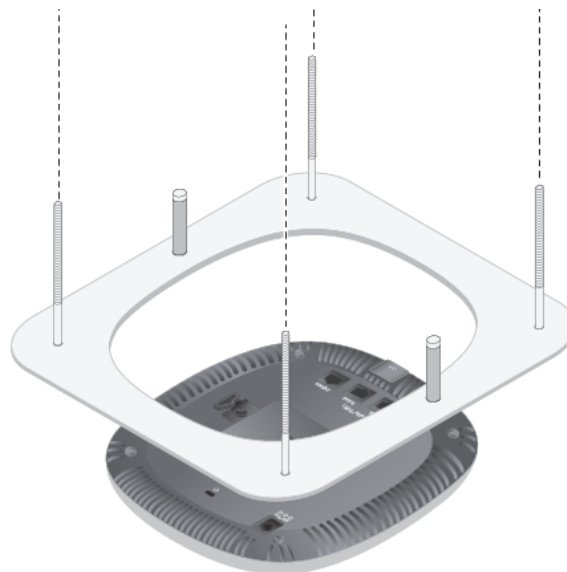
Package Contents

- Faceplate
- Metal bracket
- M4-0.7x18 Phillips head screw
- M4-0.7x6 Phillips head screw (x2)
- M4 hex nuts (x5)
- M4 washers (x5)
- Support box
- Metal eye bolt

Installing the AP-320-MNT-T Ceiling Tile Mount Kit

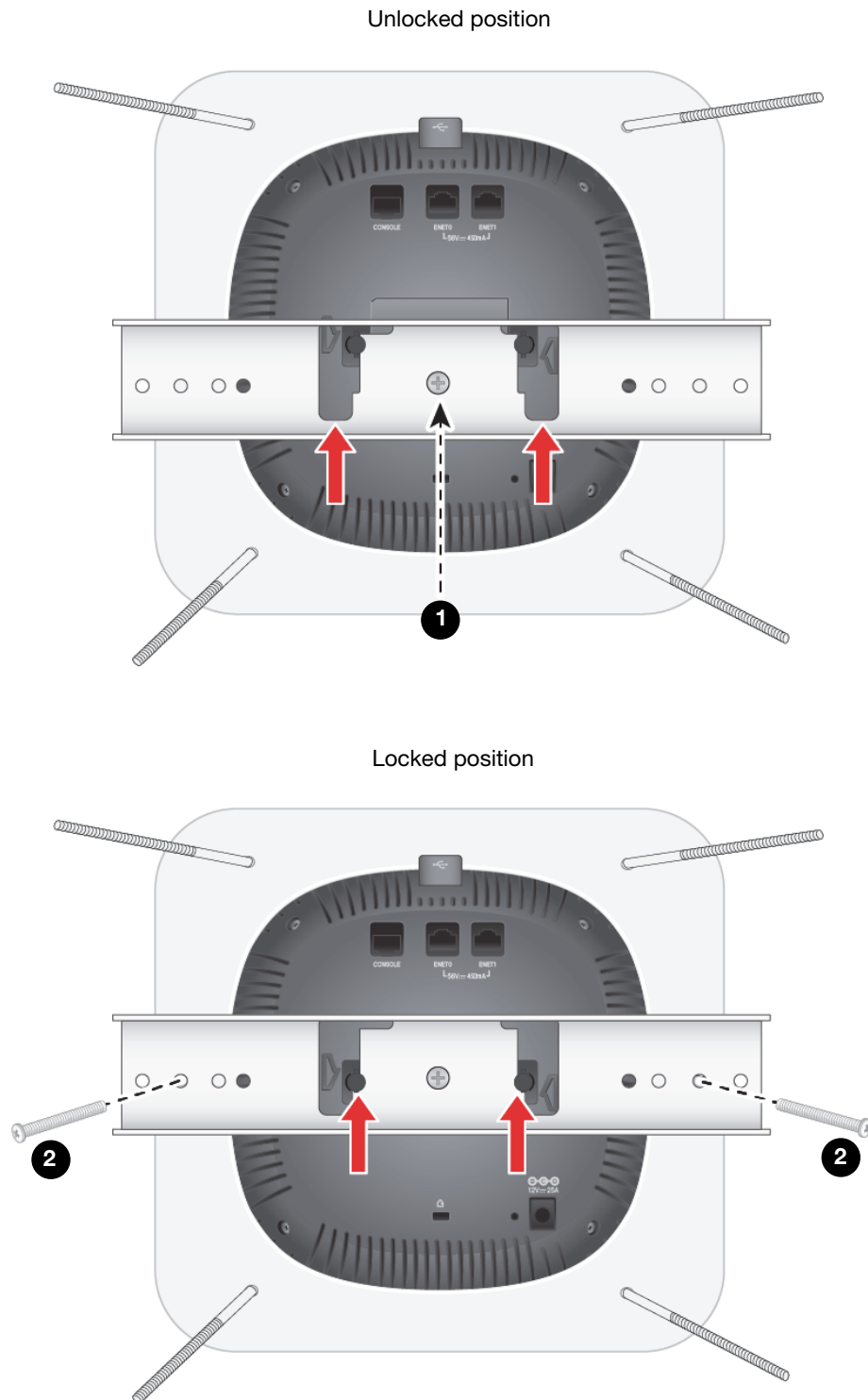
1. Remove the ceiling tile into which the access point will be installed.
2. Cut a 220mm x 220mm square hole into the center of the ceiling tile. The hole will be wide enough to fit the screw posts on the faceplate, but does not exceed the diameter of the faceplate.
3. Fit the screw posts of the faceplate into the ceiling tile, so that the screw posts are oriented upward when the tile is replaced.
4. Fit the back panel of the access point into the opening on the faceplate until all sides are flat against the device, as shown in [Figure 1](#).

Figure 1 *Fitting faceplate to access point (ceiling tile not shown)*



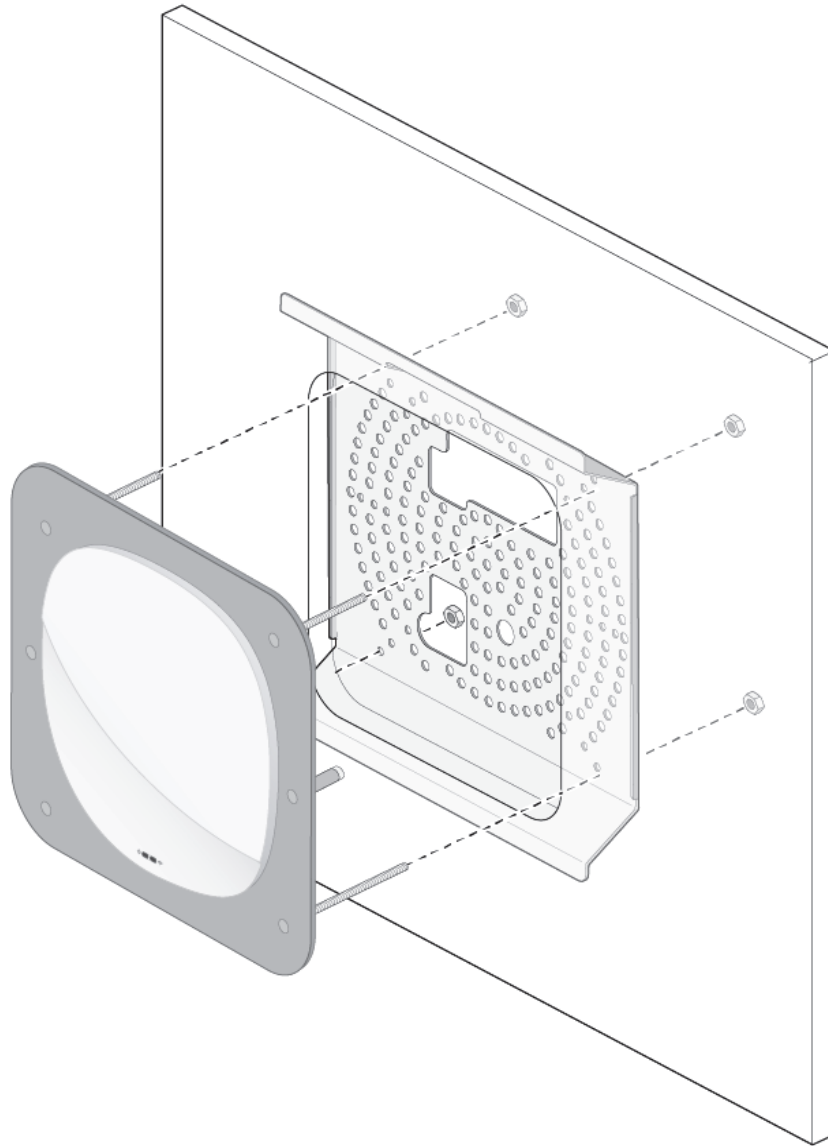
5. Position the metal bracket flat against the back of the access point, as shown in [Figure 2](#). Engage the bracket by sliding the slots into the pins on the back panel of the access point.
6. Insert the two M4-0.7x6 Phillips head screws (#2) into the holes indicated in [Figure 2](#), and tighten into the screw posts on the faceplate. Once the two screws are in place, insert the M4-0.7x18 Phillips head screw (#1) into the center hole and tighten until the access point is fixed into place.

Figure 2 Securing bracket to faceplate



7. Install the support box by sliding the screw posts through holes indicated in [Figure 3](#). Use the M4 washers and hex nuts provided to secure the screw posts into the support box. After tightening, check that the ceiling tile is firmly fixed between the faceplate and support box before continuing to step 8.

Figure 3 *Installing faceplate into support box*



The ceiling tile shown in Figure 3 is detached from the faceplate for illustrative purposes.

8. For additional stability, screw the metal eye bolt screw into a solid surface above the access point's mounted location. Use a metal cable (not included) to secure support box to the eye bolt, leaving enough slack so that the ceiling tile rests flat against the ceiling grid.
9. Route the power and Ethernet cables to their appropriate ports at the back of the access point, then replace the ceiling tile to its original position.



0511837-03